

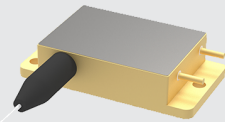
C2 FIBER COUPLED

Features :

- High efficiency transmission heat dissipation
- Good air impermeability
- Compact structure design
- Long operating life

Applications :

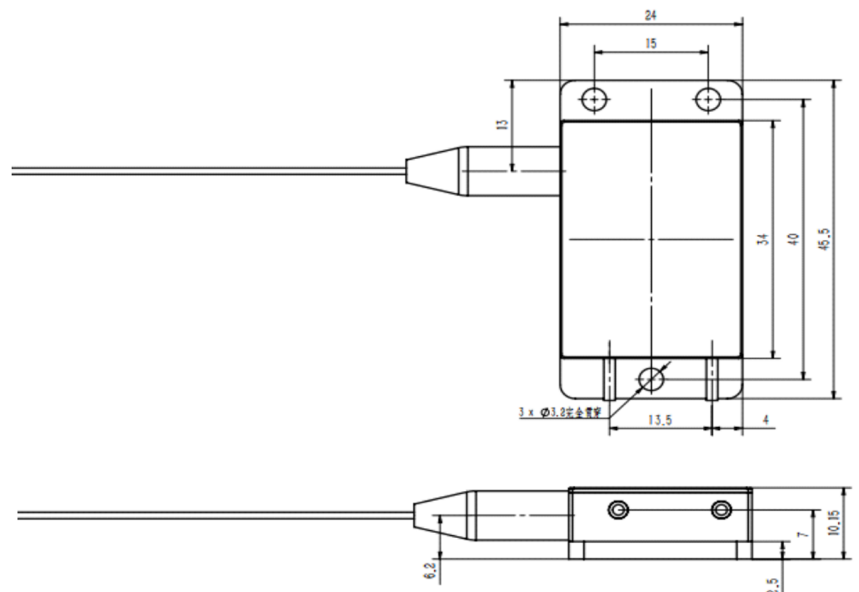
- Pump Source
- Illumination



C2 Stage

NOTE

1. Transportation, storage, use must take anti-static measures, transportation and storage process between the pins need to be connected to a short route to protect the fiber end face before use to pay attention to clean treatment
2. Use constant current power supply, avoid wave and surge laser work, avoid exposing eyes or skin directly to the laser
3. Should be used at the rated current and rated power
4. laser work need to ensure good heat dissipation, it is recommended that the thermal conductivity surface using high thermal conductivity silicone grease water cooling temperature is recommended to use 23 ~ 25 degrees
5. Fiber can not be bent at large angles, bending diameter should be greater than 300 times the diameter of the fiber
6. Follow the LumiSpot operating instruction manual.
7. Any other questions, please contact us.



PARAMETERS For Wavelength = 7XXnm / 8XXnm

Central wavelength (nm)	790	808	878	888
Output power (W)	15	15	25	27
Spectral width (nm)	3	3	5	5
95% energy NA	0.15	0.15	0.15	0.15
Temp. drift coefficient (nm/°C)	0.3	0.3	0.3	0.3
Backlight isolation range (nm)	1850-2100	1030-1200	1030-1200	1030-1200
Working current (A)	10	10	15	18
Working voltage (V)	<4	<4	<4	<4
Photoelectric efficiency (%)	46	46	46	48
Fiber core diameter (μm)	200	200	200	200
Fiber NA	0.22	0.22	0.22	0.22
Fiber length (m)	-----	Customized on demand	-----	-----
Sheath diameter (mm)	-----	Customized on demand	-----	-----
Terminal	-----	Customized on demand	-----	-----

*Wavelength, NA, output power, fiber specification and length
 can be specific designed according to client's requirement

PARAMETERS For Wavelength = 9XXnm

Central wavelength (nm)	915	940	976	915	940	976
Output power (W)	20	20	20	30	30	30
Spectral width (nm)	5	5	5	5	5	5
95% energy NA	0.15	0.15	0.15	0.15	0.15	0.15
Temp. drift coefficient (nm/°C)	0.3	0.3	0.3	0.3	0.3	0.3
Backlight isolation range (nm)	1030-1200	1030-1200	1030-1200	1030-1200	1030-1200	1030-1200
Working current (A)	12	12	12	20	20	20
Working voltage (V)	<4	<4	<4	<4	<4	<4
Photoelectric efficiency (%)	>50	>50	>50	>50	>50	>50
Fiber core diameter (μm)	105/200	105/200	105/200	200	200	200
Fiber NA	0.22	0.22	0.22	0.22	0.22	0.22
Fiber length (m)	-----	-----	Customized on demand	-----	-----	-----
Sheath diameter (mm)	-----	-----	Customized on demand	-----	-----	-----
Terminal	-----	-----	Customized on demand	-----	-----	-----

*Wavelength, NA, output power, fiber specification and length
 can be specific designed according to client's requirement