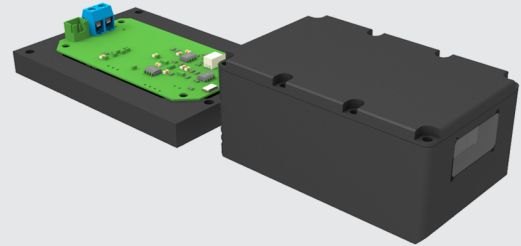


# DIVIDED SINGLE LASER-LINE

## Features :

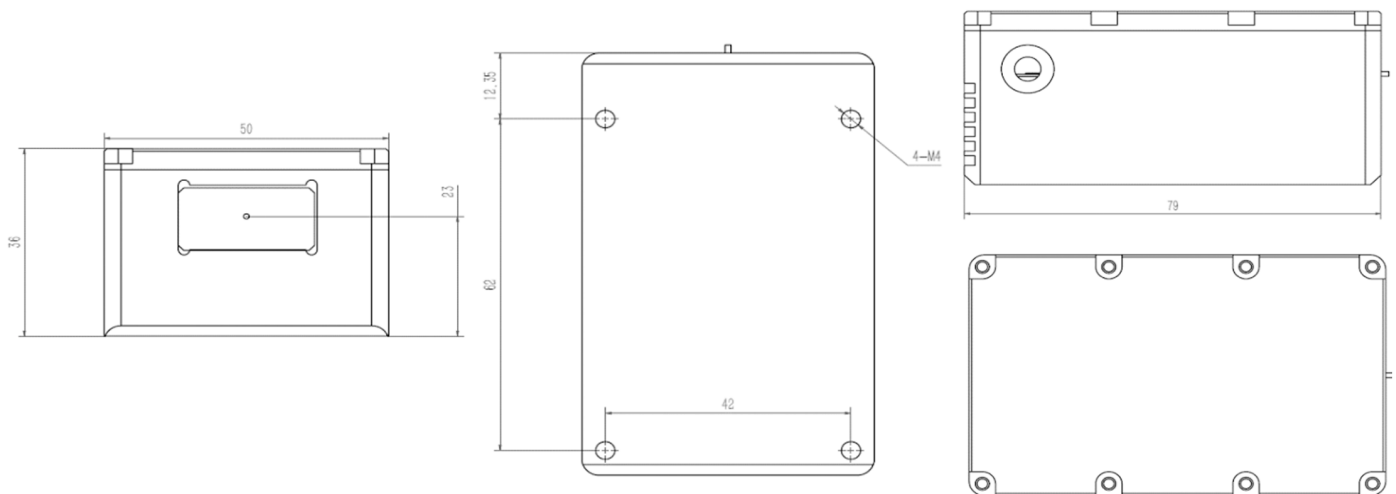
- Compact design
- Wide temperature stable operation
- Light spot uniformity
- Adjustable output laser power
- High power structured light laser
- Adapt to the requirements of outdoor environment
- Customization requirements

LGI - XXX - C8 - DXX - XXXXX - DC24



## Applications :

- 3D reconstruction
- Road surface detection
- Railway track, vehicle, pantograph detection
- Logistics volume detection



## The Graph of Light Spot Output :



# Technical Data

## PARAMETERS

LGI - XXX - C8 - DXX - XXXXX - DC24

Output power	5W ~ 13W
Center wavelength	808 nm
Wavelength variation range	±10 nm
Sector angledegree	30°/45°/60°/75°/90°/110°
Line width	0.5mm - 2.0mm
Operating voltage	DC12V-24V
Power Consumption	<30W
Operating mode	Continuous / Pulse(1-50KHZ)
Laser control mode	TTL
Power control	485 Communication protocols
Temperature protection	Support
Operating temperature	- 30 ~ 50°C
Storage temperature	- 40 ~ 70°C
Heat dissipation mode	Air
Dimension	106*90*55mm

## NOTE

1. Ensure that the light outlet is unobstructed and avoid window contamination.
2. Please apply a layer of thermal grease on the bottom of the module and the mounting surface of the body to better dissipate heat.
3. Avoid looking directly at the laser output to prevent laser damage to human eyes.
4. Follow the LumiSpot operating instruction manual.
5. Any other questions, please contact us.
6. Storage and operation within the required ambient temperature range.

