

# FIX-FORCUS LINEAR LENS

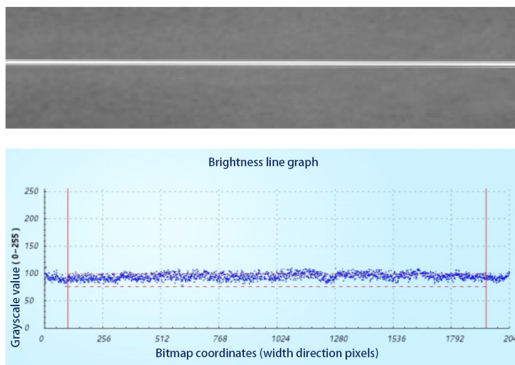
## Features :

- Small size
- Uniform light spot
- Working distance, angle, line width can be customized
- Good anti-vibration

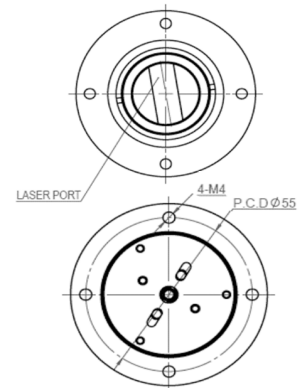
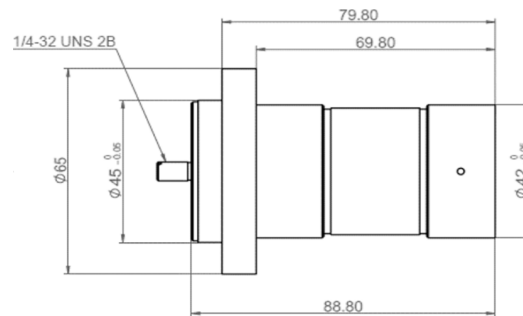
## Applications :

- Tunnel detection
- Road surface detection
- Logistics inspection
- Industrial inspection
- Railway track, vehicle, pantograph detection

LK - 25 - DXX - XXXXX



Light Spot Diagram & Scene Photo



## PARAMETERS

LK - 25 - DXX - XXXXX

|                                  |                                    |
|----------------------------------|------------------------------------|
| Line width                       | 2mm - 15 mm                        |
| Fan angle, degree                | 30° / 45° / 60° / 75° / 90° / 110° |
| Uniformity                       | > 80% (90% Within angle range)     |
| Working distance                 | 0.4m - 5.0m                        |
| Fiber optic connector            | SMA905                             |
| Incident beam numerical aperture | < 0.22 NA                          |
| Operating temperature            | -20 ~ 60°C                         |

## NOTE

1. Storage and operation within the required ambient temperature range.
2. Follow the LumiSpot operating instruction manual.
3. Any other questions, please contact us.

