

P8 SINGLE EMITTER

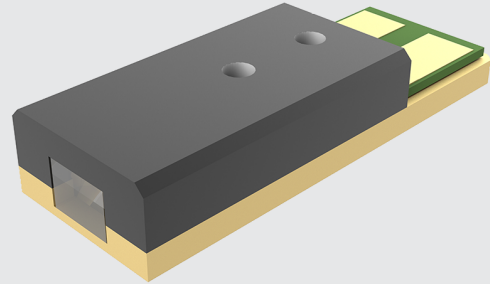
Features :

- Independent packed single diode emitter laser
- Direct output after shaping, square spot
- Spot shaping after direct output, square spot
- Small size, low power consumption,
- compact structure, easy mounting
- High stability, long operating life,

Applications :

- Pump source
- Illumination
- Vision inspection

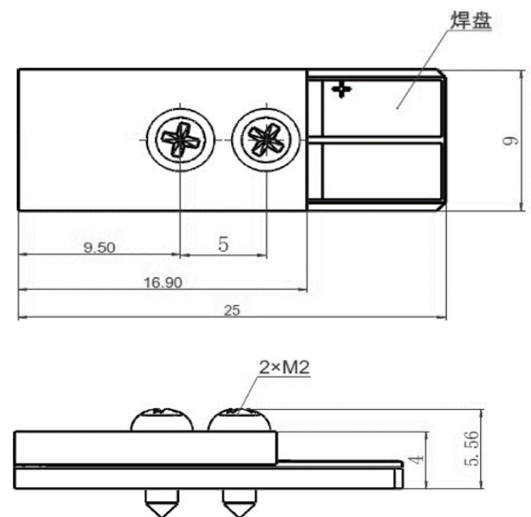
LMC - 808C - P8 - D60 - 2



PARAMETERS

LMC - 808C - P8 - D60 - 2

Peak power	> 8W
Central wavelength	808nm
Spectral width	≤ 3nm
Wavelength variation range	±5nm
Wavelength temperature drift coefficient	~ 0.28 nm/°C
Hair angle	60° ~ 70°
Min current	0.7A
Working current	8.5A
Operating voltage	< 2V
Pulse width	10us~2s
Energy conversion efficiency	> 50%
Fiber core diameter	105 μm
Fiber	0.22NA
Fiber length	Customized on demand
Sheath diameter	0.9mm
Output End Type	Customized on demand
Operating temperature	20~30°C
Storage temperature	-30~80°C
Dimension	25x9x4mm



NOTE

1. Storage and operation in a non-condensing environment is required at temperatures below ambient.
2. Follow the LumiSpot operating instruction manual.
3. Any other questions, please contact us.

