

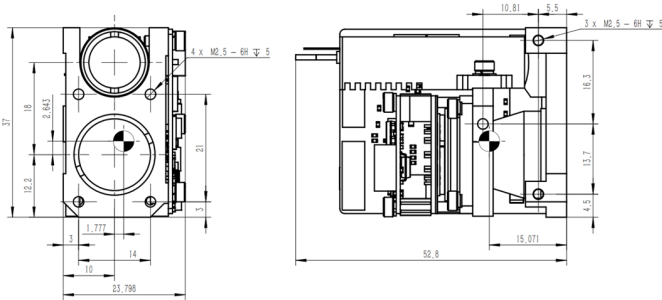
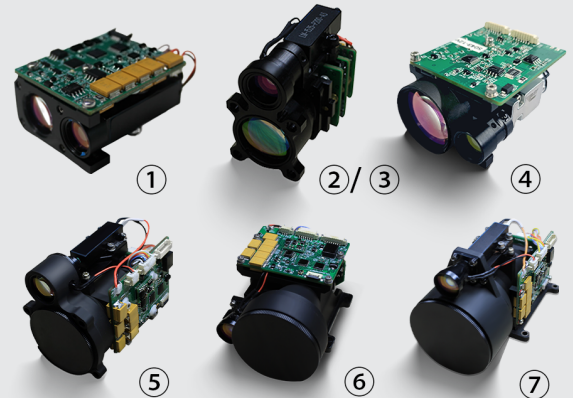
# 3-12km RANGEFINDER(1535nm)

## Features :

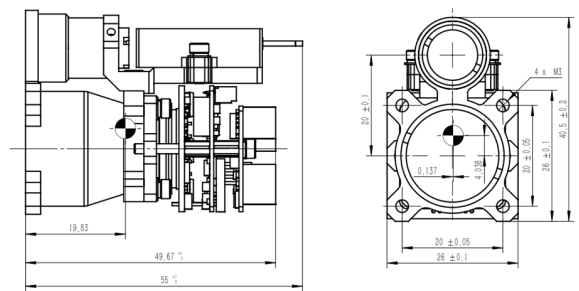
- Small size and light weight
- Class I human eye safety standards
- Stable performance and easy to use
- Provide customization service
- Developed based on 1535nm Er: Glass Laser

## Applications :

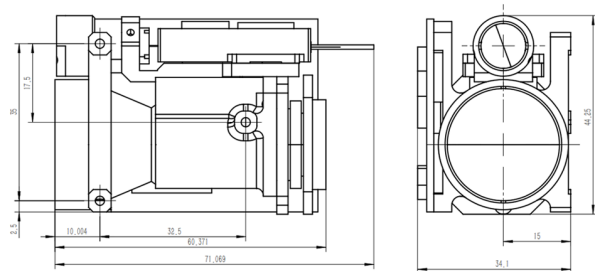
- Laser Ranging
- Targeting
- Photoelectric reconnaissance



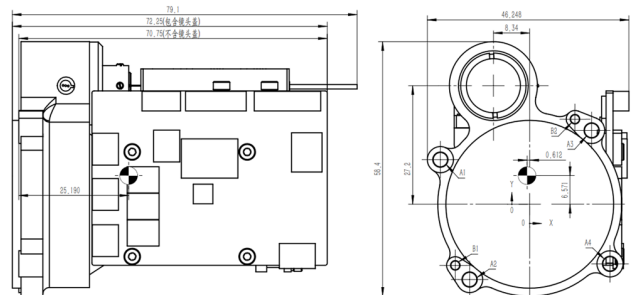
① LSP-LRS-0310MS-01



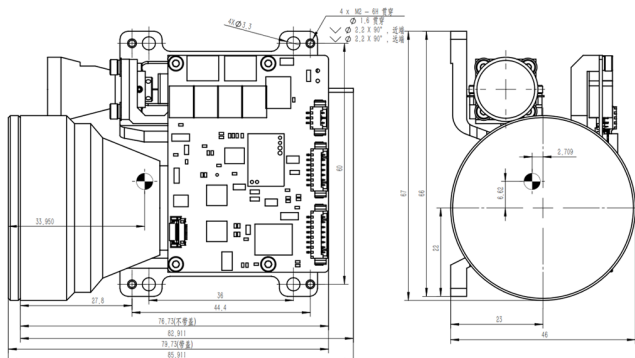
② LSP-LRS-0410A / ③ LSP-LRS-0510A



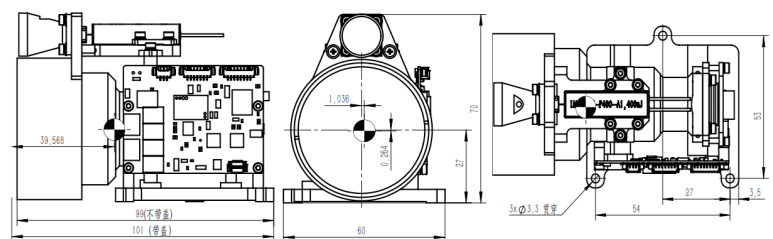
④ LSP-LRS-0610A



⑤ LSP-LRS-0810A



⑥ LSP-LRS-1010A



⑦ LSP-LRS-1210A

We reserve all rights. Product specifications and descriptions are subject to change. Products are delivered with a limited warranty only. Please contact our sales representatives for more info.

Specification	LSP-LRS-0310MS-01	LSP-LRS-0410A	LSP-LRS-0510A	LSP-LRS-0610A
Wavelength	1535nm±5nm	1535nm±5nm	1535nm±5nm	1535nm±5nm
Ranging Distance	≥3km	≥4km	≥5km	≥6km
Visibility	>6km	>8km	>8km	>10km
Laser divergence angle	≤0.5mrad	≤0.5mrad	≤0.5mrad	≤0.5mrad
Continuous ranging frequency	1Hz-10Hz (adjustable)	1Hz-10Hz (adjustable)	1Hz-10Hz (adjustable)	1Hz-10Hz (adjustable)
Ranging accuracy	≤±2m (RMS)	≤±2m (RMS)	≤±2m (RMS)	≤±2m (RMS)
Accurate ranging ratio	≥98%	≥98%	≥98%	≥98%
Minimum range	≤20m	≤20m	≤20m	≤30m
Range resolution	≤30m	≤30m (Multi Targets)	≤30m (Multi Targets)	≤30m (Multi Targets)
Voltage supply	DC3~15V (Customizable)	DC9-16V (Customizable)	DC9-16V (Customizable)	DC9-16V (Customizable)
Weight	≤50g	≤55g	≤55g	≤70g
Power consumption	----- “Average ≤1.5W(@1Hz); Peak ≤5W” -----			
Dimension	≤53*37*24mm	≤55*41*26mm	≤55*41*26mm	≤72*45*35mm
Working temperature	-40-+60°C	-40-+60°C	-40-+60°C	-40-+60°C
Storage temperature	-50-+ 70°C	-50-+ 70°C	-50-+ 70°C	-50-+ 70°C
Communication interface	RS422,115200bps	RS422,115200bps	RS422,115200bps	RS422,115200bps

Specification	LSP-LRS-0810A	LSP-LRS-1010A	LSP-LRS-1210A
Wavelength	1535nm±5nm	1535nm±5nm	1535nm±5nm
Ranging Distance	≥8km	≥10km	≥12km
Visibility	>12km	>15km	>20km
Laser divergence angle	≤0.3mrad	≤0.3mrad	≤0.3mrad
Continuous ranging frequency	1Hz-10Hz (adjustable)	1Hz-10Hz (adjustable)	1Hz-10Hz (adjustable)
Ranging accuracy	≤±2m (RMS)	≤ ±2m (RMS)	≤ ±3m (RMS)
Accurate ranging ratio	≥98%	≥98%	≥98%
Minimum range	≤30m	≤50m	≤50m
Range resolution	≤30m (Multi Targets)	≤30m (Multi Targets)	≤30m (Multi Targets)
Voltage supply	DC9-16V (Customizable)	DC9-16V (Customizable)	DC9-18V (Customizable)
Weight	≤120g	≤140g	≤240g
Power consumption	----- “Average ≤1.5W(@1Hz); Peak ≤5W” -----		
Dimension	≤80*47*59mm	≤83*68*46mm	≤100*60*70mm
Working temperature	-40-+60°C	-40-+60°C	-40-+60°C
Storage temperature	-50-+ 70°C	-50-+ 70°C	-50-+ 70°C
Communication interface	RS422,115200bps	RS422,115200bps	RS422,115200bps