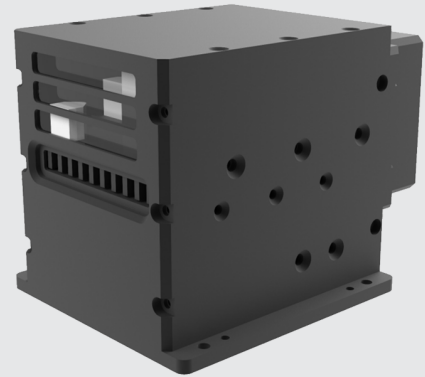


THREE-LINE LASER

Features :

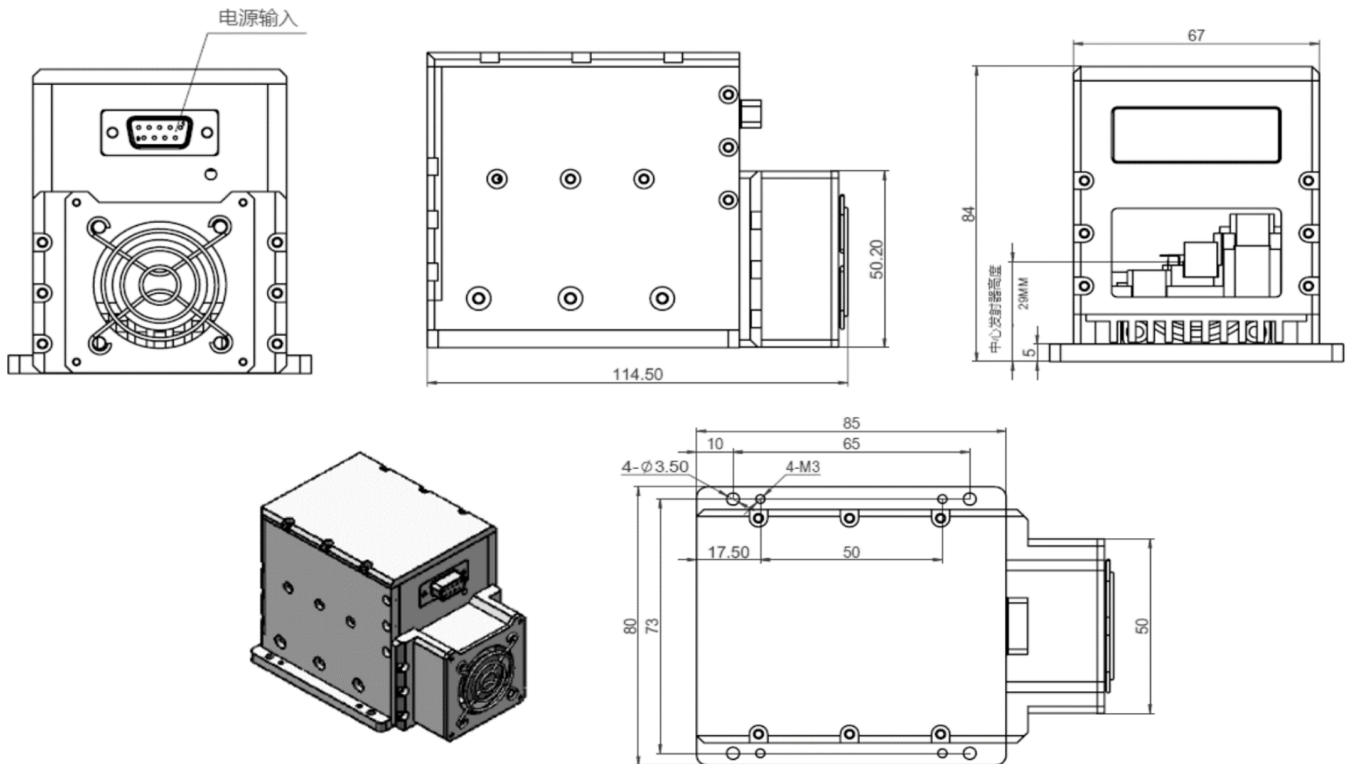
- High speed motion 3D scanning
- Compact design
- Wide temperature stable operation
- The line width is uniform and the parallelism is high
- Light spot uniformity
- Meet customization requirements

LGI - 808 - P5*3 - DXX - XXXX - DC24

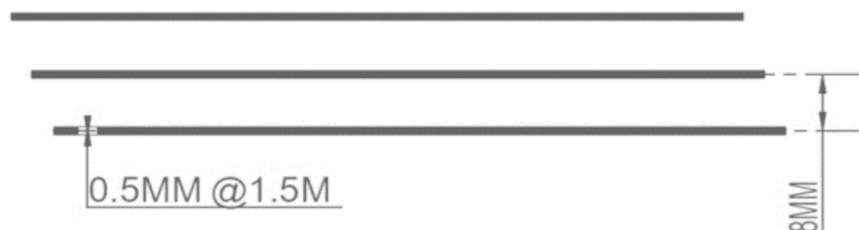


Applications :

- 3D reconstruction
- Road surface detection
- Logistics volume detection
- Industrial inspection
- Railway wheelset inspection, track inspection



Technical Indicator:



Technical Data

PARAMETERS

LGI - 808 - P5*3 - DXX - XXXX - DC24

Output power	15 W
Center wavelength	808 nm
Wavelength variation range	±10 nm
Fan angle/degree	15°/30°/60°/90°/110° (Customizable)
Line width	1.0mm@2.0m
Operating voltage	DC24V
Power consumption	<25 W
Control mode	TTL
Frequency range	0 ~ 15,000 Hz
Duty cycle	≤ 20%
Operating temperature	- 30 ~ 50°C
Storage temperature	- 40 ~ 70°C
Heat dissipation mode	Air-Cooled
Dimension	114.5*80*84mm

NOTE

1. Ensure that the light outlet is unobstructed and avoid window contamination.
2. Please apply a layer of thermal grease on the bottom of the module and the mounting surface of the body to better dissipate heat.
3. Avoid looking directly at the laser output to prevent laser damage to human eyes.
4. Follow the LumiSpot operating instruction manual.
5. Any other questions, please contact us.
6. Storage and operation within the required ambient temperature range.

