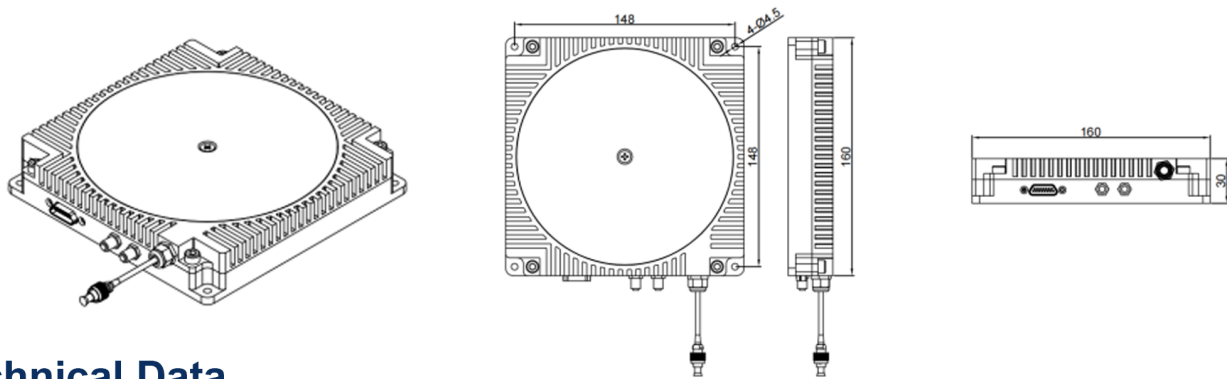


# 1550nm 8kW / 12kW Fiber Laser

## Product Description:

This product features an optical path design with a MOPA structure, capable of generating ns-level pulse width and a peak power of up to 15 kW, with a repetition frequency ranging from 50 kHz to 360 kHz. It exhibits high electrical-to-optical conversion efficiency, low ASE (Amplified Spontaneous Emission), and nonlinear noise effects, as well as a wide operating temperature range.



## Technical Data

Parameters	Unit	Min.	Typical	Max.	Clarification
Working Mode			Pulse		
Center Wavelength	nm	1545	1550	1555	
Pulse Width	ns		4		
Repetition Frequency	KHz	30	50	100	customizable
Average Power	W		3	6	customizable
Peak Power	kW		12		customizable
Polarization State	NA		Random		
Trigger Mode	NA		Internal/External		
Pulse Output Delay Jitter	ns			3	
Electrical Power Consumption	W			100	
Working Voltage	V		28		
Working Temp. @Shell	°C	-40		60	
Storage Temp.	°C	-40		105	
Package Size	mm		160*160*30		
Weight	g			2000	
Optical Output Mode			multimode fiber patch cable		customizable collimating lens
Length of Output Optical Fiber	m		0.3		3mm sleeve
Interface Mode			J29A-15ZKW		