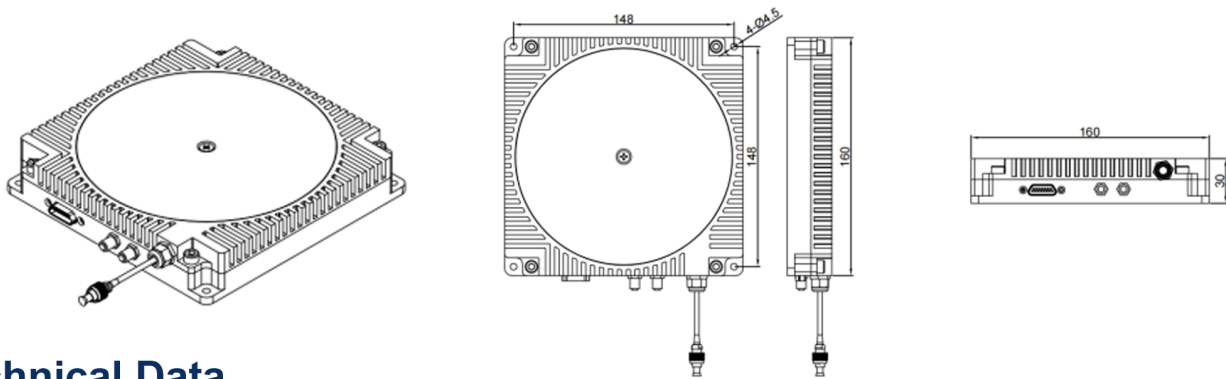


1550nm High Peak Power Fiber Laser

Product Description:

This product features an optical path design with a MOPA structure, capable of generating ns-level pulse width and a peak power of up to 15 kW, with a repetition frequency ranging from 50 kHz to 360 kHz. It exhibits high electrical-to-optical conversion efficiency, low ASE (Amplified Spontaneous Emission), and nonlinear noise effects, as well as a wide operating temperature range.



Technical Data

| Parameters | Unit | Min. | Typical | Max. | Clarification |
|--------------------------------|------|------|-----------------------------|------|-------------------------------|
| Working Mode | | | Pulse | | |
| Center Wavelength | nm | 1545 | 1550 | 1555 | |
| Pulse Width | ns | | 4 | | |
| Repetition Frequency | KHz | 30 | 50 | 100 | customizable |
| Average Power | W | | 3 | 6 | customizable |
| Peak Power | kW | | 12 | | customizable |
| Polarization State | NA | | Random | | |
| Trigger Mode | NA | | Internal/External | | |
| Pulse Output Delay Jitter | ns | | | 3 | |
| Electrical Power Consumption | W | | | 100 | |
| Working Voltage | V | | 28 | | |
| Working Temp. @Shell | °C | -40 | | 60 | |
| Storage Temp. | °C | -40 | | 105 | |
| Package Size | mm | | 160*160*30 | | |
| Weight | g | | | 2000 | |
| Optical Output Mode | | | multimode fiber patch cable | | customizable collimating lens |
| Length of Output Optical Fiber | m | | 0.3 | | 3mm sleeve |
| Interface Mode | | | J29A-15ZKW | | |