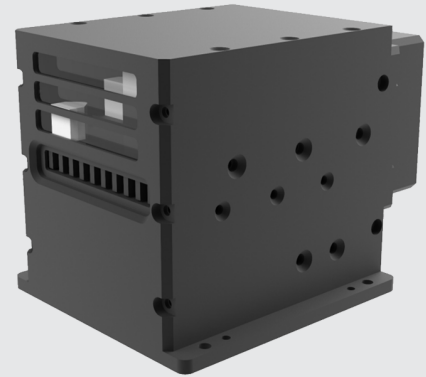


MULTI-LINE LASER

Features :

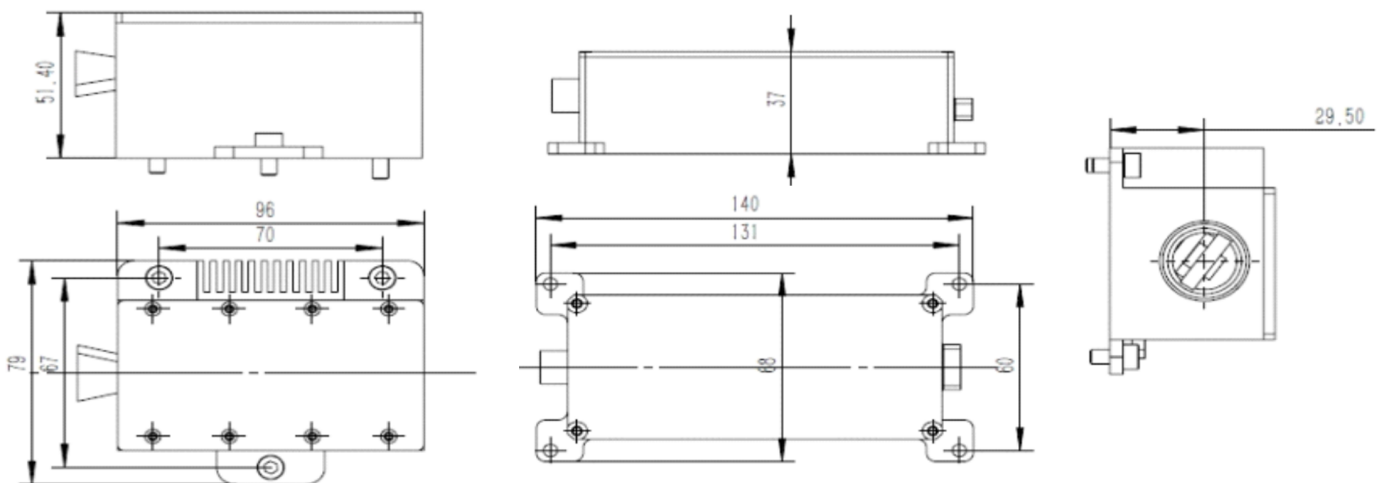
- High speed motion 3D scanning
- Compact design
- Wide temperature stable operation
- The line width is uniform and the parallelism is high
- Light spot uniformity
- Meet customization requirements

LGI - 808 - P5 - DL25 - XXXX - DC24

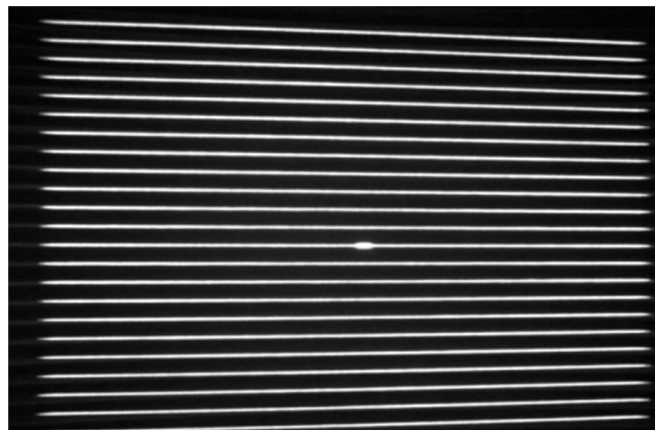


Applications :

- 3D reconstruction
- Road surface detection
- Logistics volume detection
- Industrial inspection
- Railway wheelset inspection, track inspection



Light Spot Diagram:



Technical Data

PARAMETERS	LGI - 808 - P5 - DL25 - XXXX - DC24
Output power	5 W
Center wavelength	808 nm
Wavelength variation range	± 10 nm
Scalloping degree	33° (Customizable)
Number of gratings	25 (Customizable)
Light angle	1.37 °
Line width	1.0mm @ 400mm ±50mm
Operating voltage	DC 24V
Power Consumption	≤ 25W
Control mode	Continuous / Pulse
Frequency range	1 ~ 30,000 Hz
Duty cycle	0.5% ≤ Duty Cycle ≤ 30%
Operating temperature	- 30 ~ 50°C
Storage temperature	- 40 ~ 70°C
Heat dissipation method	Air-Cooled
Form factor	96*79*51.4 mm

NOTE

1. Ensure that the light outlet is unobstructed and avoid window contamination.
2. Please apply a layer of thermal grease on the bottom of the module and the mounting surface of the body to better dissipate heat.
3. Avoid looking directly at the laser output to prevent laser damage to human eyes.
4. Follow the LumiSpot operating instruction manual.
5. Any other questions, please contact us.
6. Storage and operation within the required ambient temperature range.

