

525nm FIBER COUPLED

Features :

- Easy to use and stable
- Long service life with homogeneous spot
- High efficiency conduction heat dissipation
- Temperature control thermistors

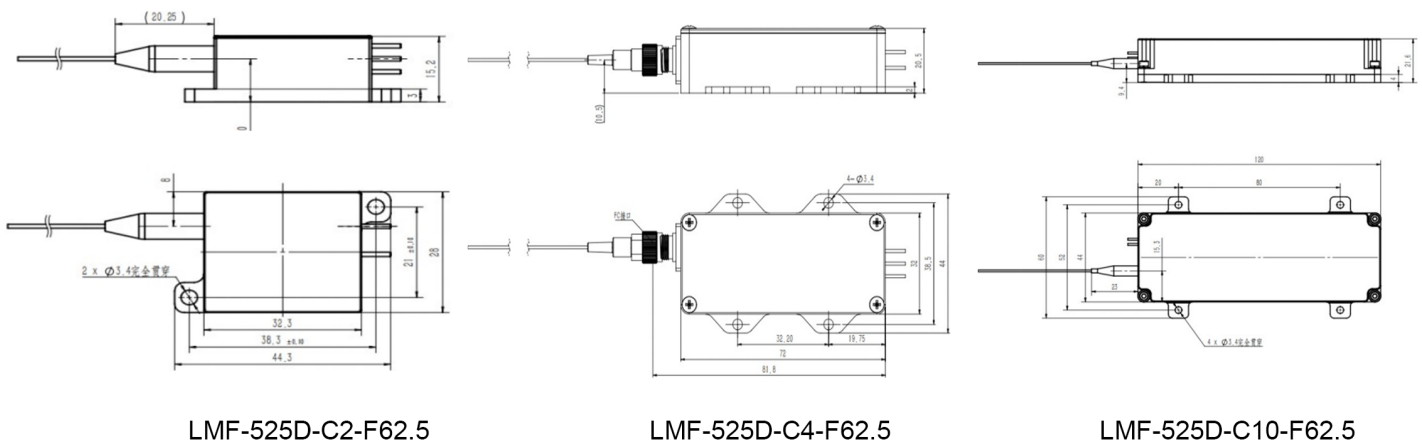
Applications :

- Illumination
- Inspection
- Research

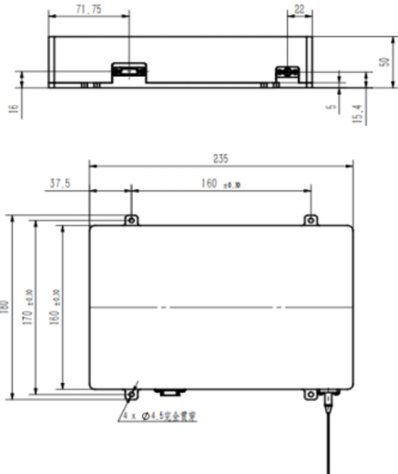


NOTE

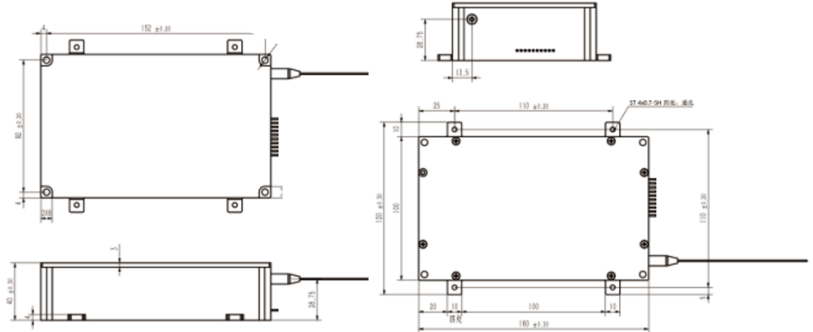
1. Transportation, storage, use must take anti-static measures, transportation and storage process between the pins need to be connected to a short route to protect the fiber end face before use to pay attention to clean treatment
2. Use constant current power supply, avoid wave and surge laser work, avoid exposing eyes or skin directly to the laser
3. Should be used at the rated current and rated power
4. laser work need to ensure good heat dissipation, it is recommended that the thermal conductivity surface using high thermal conductivity silicone grease water cooling temperature is recommended to use 23 ~ 25 degrees
5. Fiber can not be bent at large angles, bending diameter should be greater than 300 times the diameter of the fiber
6. Follow the LumiSpot operating instruction manual.
7. Any other questions, please contact us.



LMF-525D-C50-F200



LMF-525D-C25-F105



PARAMETERS @ 25°C	LMF-525D-C2-F62.5	LMF-525D-C4-F62.5	LMF-525D-C10-F62.5
Central wavelength (nm)	525 ± 5	525 ± 5	525 ± 5
Output power (W)	≥2	≥4	≥10
Output Type	FC output	FC output	FC output
Fiber length (m)	0.2 or 0.5	2	2
Numerical aperture(NA)	0.22	0.22	0.22
Core Diameter(um)	62.5/105	62.5/105	105
Working voltage (V)	DC12	DC24	DC53
Working current (A)	<2	<2	<2
Working Temp.	15 - 35	15 - 35	15 - 35
Storage Temp.	-50 - 70	-50 - 70	-50 - 70

PARAMETERS @ 25°C	LMF-525D-C25-F105	LMF-525D-C50-F200
Central wavelength (nm)	525 ± 5	525 ± 5
Output power (W)	≥25	≥50
Output Type	FC output	FC output
Fiber length (m)	1	1
Numerical aperture(NA)	0.22	0.22
Core Diameter(um)	105	200
Working voltage (V)	DC127	<DC308
Working current (A)	<2.0	<2.0
Working Temp.	15 - 35	15 - 35
Storage Temp.	-50 - 70	-50 - 70

