

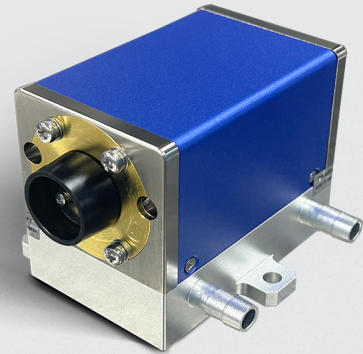
CW DIODE PUMP MODULE (G2-A)

Features :

- High power pumping ability
- Excellent beam and stability
- Continuous wave operation
- Compact and reliable design

Applications :

- Spacing Telecommunications
- Environment R&D
- Micro-nano Processing
- Atmospheric Research
- Medical Equipment
- Image Processing



Optical Parameter

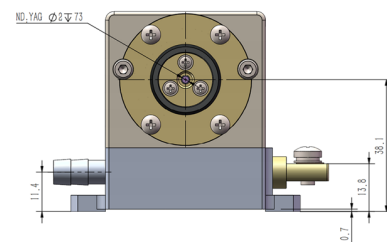
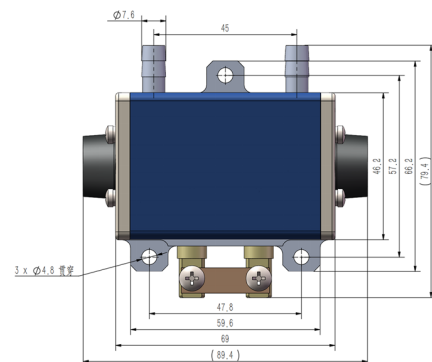
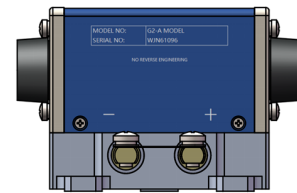
Power Output	≥50 W
Wavelength	1064 nm
Luminous Height	38.1 mm

Electrical Parameters

Working Mode	CW
Working Current	≤30
Forward Bias	≤24
Recommended Working Temp.	25°C ±3°C
Storage Temp.	5°C ~ 50°C
Water Flow	≥8 L/min
Water Pressure	0.3Mpa~0.6Mpa

Other Parameters

Crystal Rod Size	Ø2*73 mm
Weight	≤1.0kg



NOTE

1. Power use: Ensure that it is used at the rated voltage and power.
2. The laser must be installed reliably when working.
3. Follow the LumiSpot Tech operating instruction manual.
4. For other questions, please contact us.
5. Electrostatic protection: the laser module in transport, storage, use must take appropriate anti-static measures.

