

Er-doped Glass Laser Module

LM-1535-PXXX-A1

Product Description:

Erbium glass laser is independently developed for human eye safety rangefinder field. It is positioned as autonomous and controllable, with both reliability and cost-effective characteristics. The semiconductor pump source produced by Lumispot Tech is integrated with advanced erbium glass crystal.



- Laser Ranging
- LIDAR
- Laser Communication

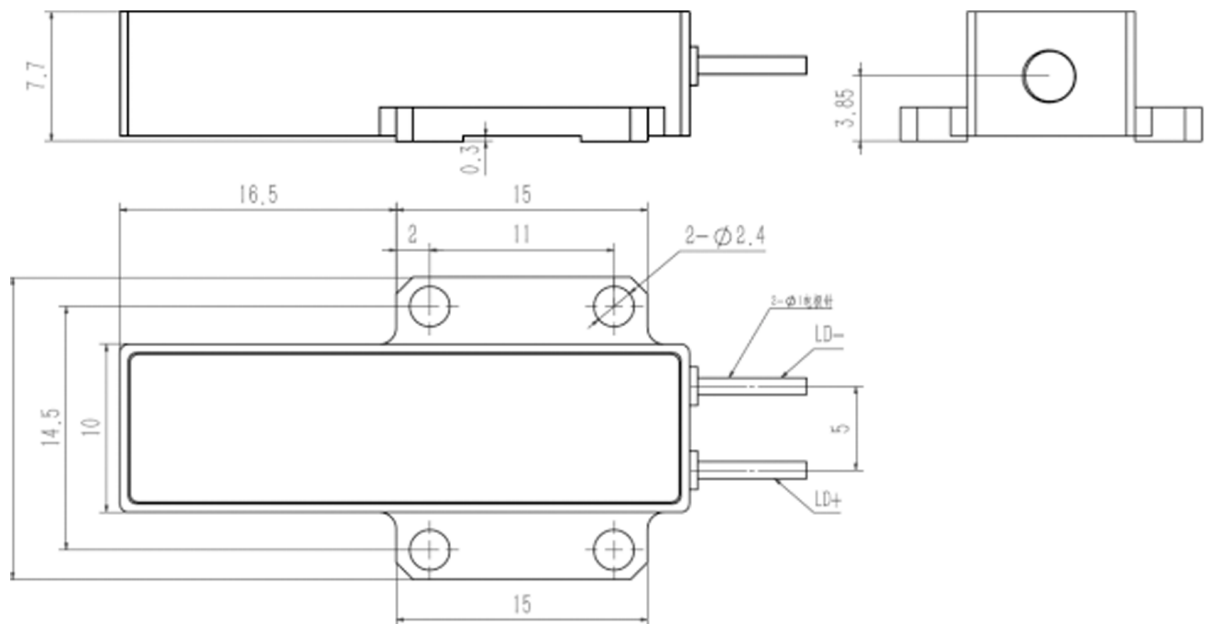
Technical Data

Optical	Unit	LM-1535-P100-A1	LM-1535-P200-A1	LM-1535-P300-A1	LM-1535-P400-A1	LM-1535-P500-A1
Wavelength	nm			1535		
Pulsed width (FWHM)	ns	3-6	3-6	3-6	3-6	4-6
Plused energy	uJ	100	200	300	400	500
Peak power	KW	25	50	70	80	100
Energy stability	%	≤5	≤5	≤5	≤5	≤5
Deam-divergence angle	mrad	≤12	≤12	≤12	≤12	≤12

Electricity		LM-1535-P100-A1	LM-1535-P200-A1	LM-1535-P300-A1	LM-1535-P400-A1	LM-1535-P500-A1
Working voltage	V	2	2	2	2	2
Working current	A	7	12	12	14	15
Working frequency	Hz	1-10	1-10	1-10	1-10	1-15
Pulsed width	ms	1.0-2.5	1.0-2.5	1.0-2.5	1.0-2.5	1.0-2.5

Environment		LM-1535-P100-A1	LM-1535-P200-A1	LM-1535-P300-A1	LM-1535-P400-A1	LM-1535-P500-A1
Working temperature	°C	-40-60	-40-60	-40-60	-40-60	-40-60
Storage temperature	°C	-50-70	-50-70	-50-70	-50-70	-50-70
Life time	times	10,000,000	10,000,000	10,000,000	10,000,000	10,000,000
Weight	g	<10	<10	<10	<10	<10

Product Dimension



Size in mm

Special Note

1. Anti-static measures must be taken during transportation, storage and use.
2. Laser diode pins need to be connected to a short route protection.
3. Use constant current power supply to avoid peak and surge during operation.
4. Laser operating temperature, frequency, pulse width, current is strictly prohibited to exceed the specification of the range.
5. Laser work to ensure reliable installation.
6. Laser window to ensure clean and pollution-free, so as not to cause light abnormalities

