

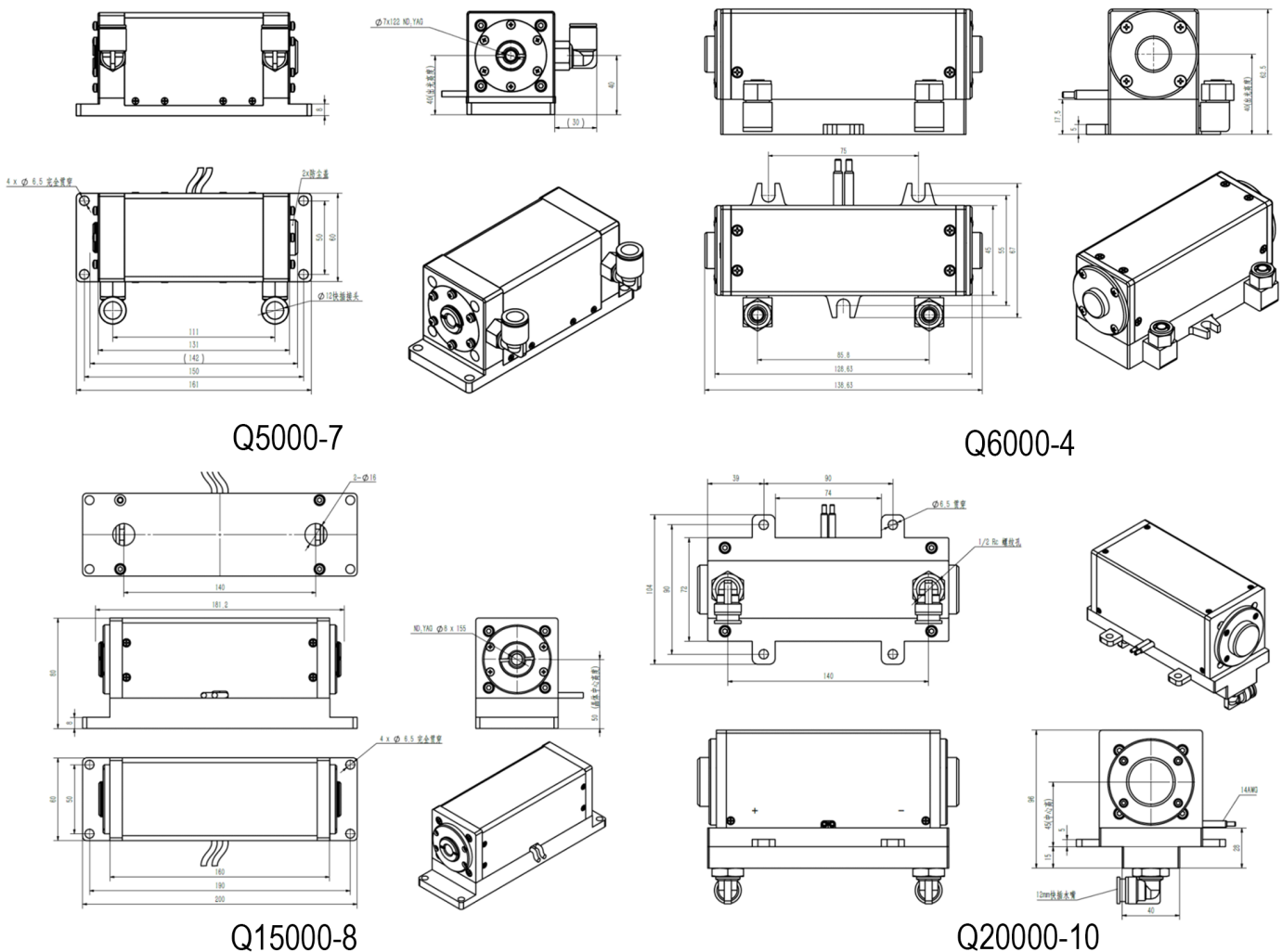
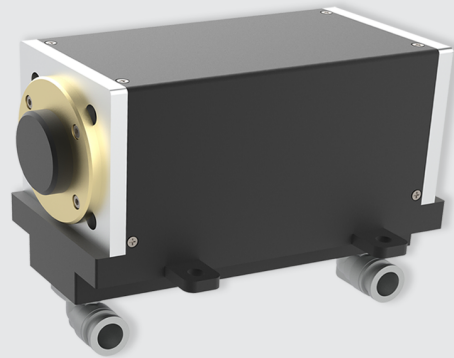
QCW DIODE PUMP MODULE

Features :

- High pump efficiency
- High gain uniformity
- Macro channel water cooling
- Low maintenance cost

Applications :

- OPO
- Nano/Pico-second Laser Amplifier
- High gain pulse pump amplifier



Technical Data

PARAMETERS	Q5000-7	Q6000-4	Q15000-8	Q20000-10
Pumping Wavelength		808±3 nm		
Pumping Bandwidth		5nm		
Pumping Peak Power	5000W	6000W	5000W	20000W
Pulse Width	200µs	200µs	200µs	200µs
Repetition Rates	1000Hz	200Hz	100Hz	100Hz
Threshold Current	15A	15A	17A	17A
Operating Current	45A	200A	100A	100A
Operating Voltage	210V	55V	280V	380V

Active Medium

Nd:YAG Doping		0.6 wt.%		
Emission Wavelength		1064nm		
Rod Size	Φ7x122mm	Φ4x100mm	Φ8x155mm	Φ10x155mm

Environmental Requirements & Mechanics

Water Cooling Temp.		25°C		
Water Input Pressure		0.3~0.5MPa		
Water Flow Rate	> 15L/min	> 10L/min	> 10L/min	> 12L/min

NOTE

1. Specification at around temperature 25 C, at the initial lifetime
2. Output power & crystal dimension can be customized as needed
3. Follow the LumiSpot operating instruction manual.
4. Any other questions, please contact us.
5. Storage and operation in a non-condensing environment is required at temperatures below ambient.

